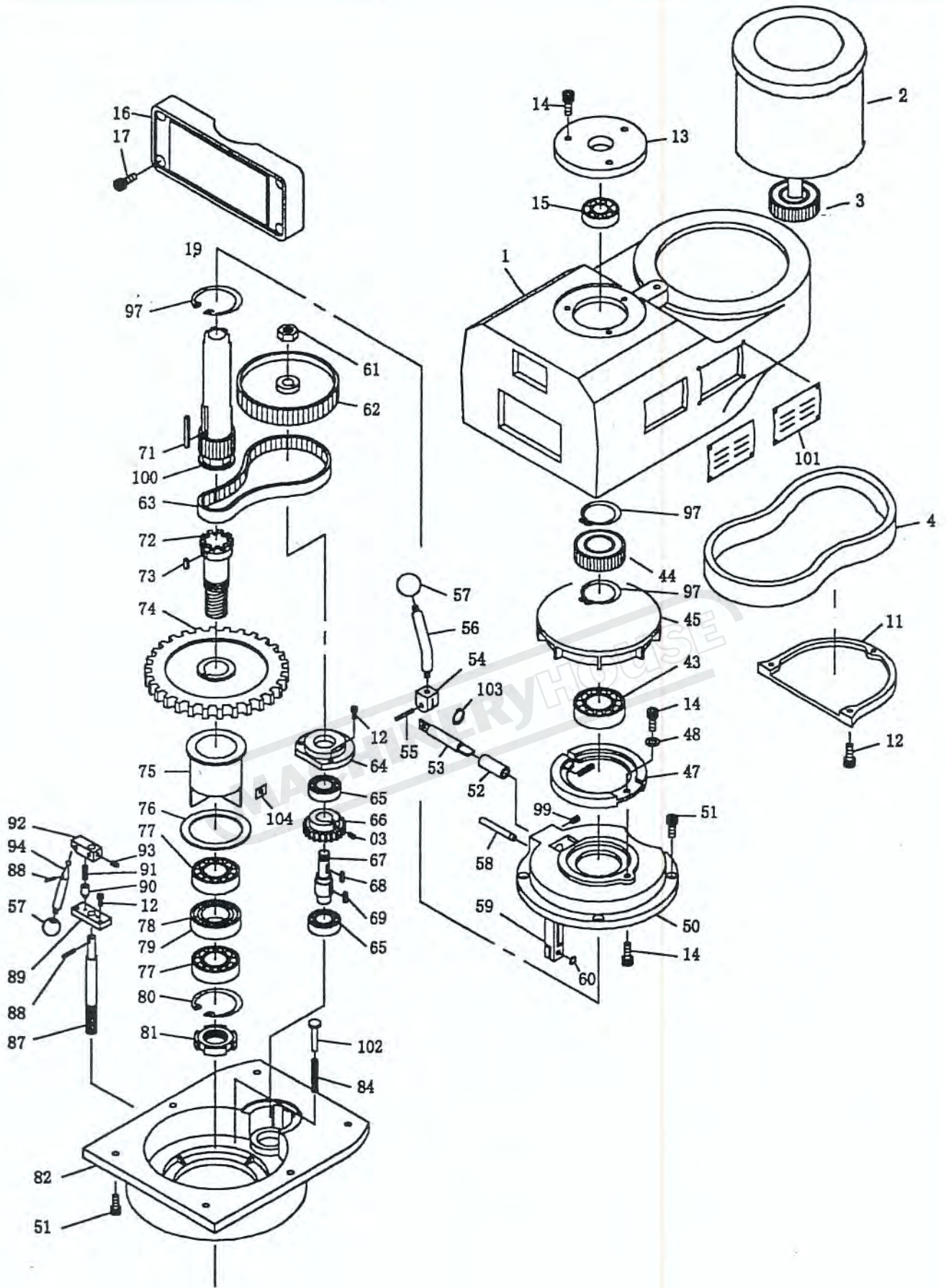


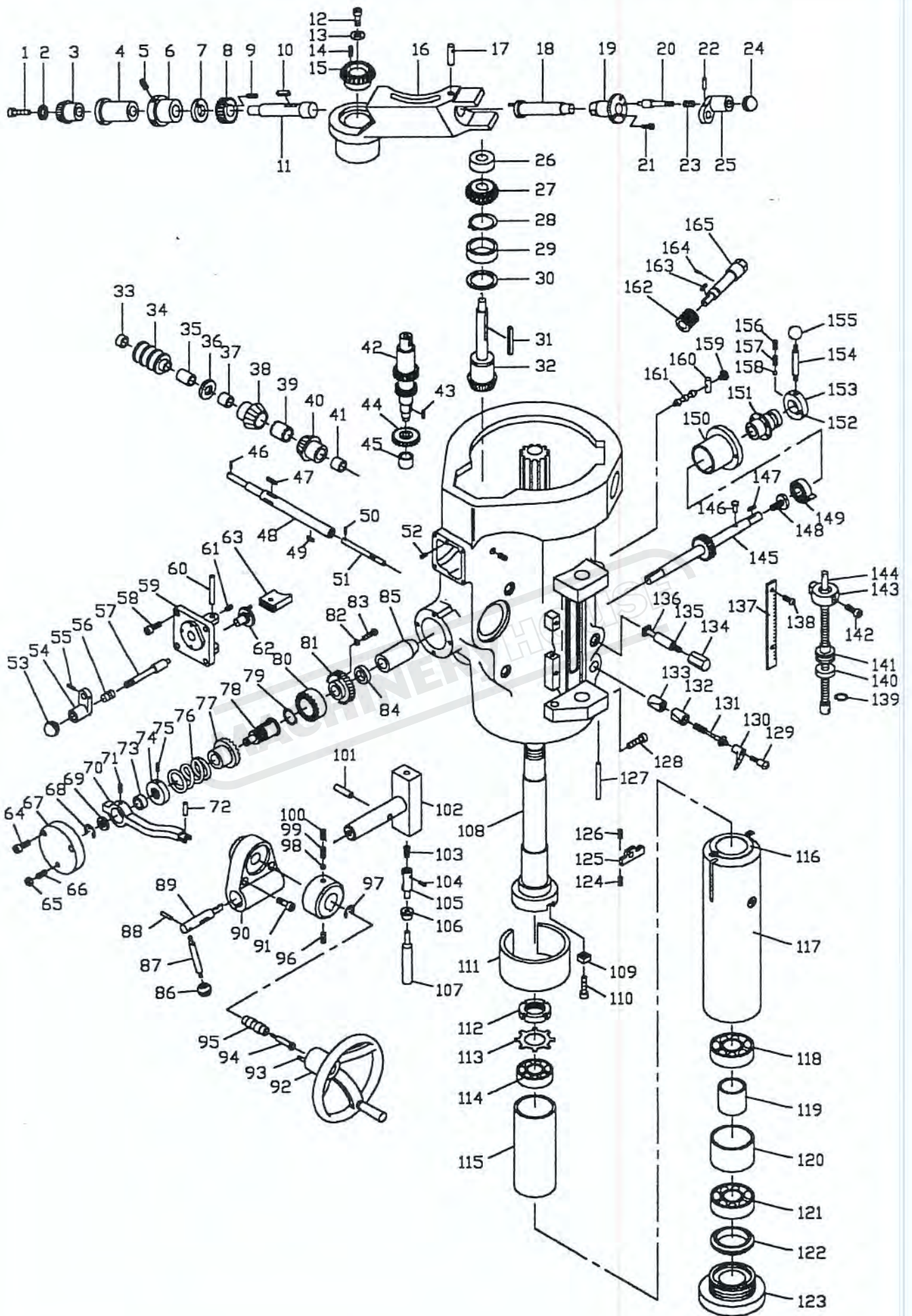
# Parts List & Drawing

MACHINERYHOUSE



## HEAD TOP HOUSING (INVERTOR VARIABLE SPEED) - Uppder

Item	Description	Q'ty	Remark	Item	Description	Q'ty	Remark
1	Gear Box	1		76	Sleeve	1	
2	Motor	1		77	Bearing	1	
3	Motor Pulley	1		78	Spacer-inside	1	
4	Belt	1	8YU-800	79	Spacer-outside	1	
10	Bearing	1		80	C-Snap	1	
11	Cover	1		81	Nut	1	
12	Screw	3		82	Gear Housing	1	
13	Bearing Cap	1		84	Spring	1	
14	Screw	1		87	Shaft Pinion	1	
15	Bearing	1		88	Pin	1	
16	Speed Change Housing	1		89	Hi-Low Plate	1	
17	Screw	4		90	Pin	1	
44	Spindle Pulley	1		91	Spring	1	
45	Brake Housing	1		92	Block	1	
47	Brake Unit	1		93	Set Screw	1	
48	Washer	1		94	Lever	1	
50	Belt Housing Base	1		97	C-Snap	1	
51	Screw	1		98	Ring	1	
52	Brake Lock Cam	1		99	Set Screw	1	
53	Link	1		100	Clutch sleeve	1	
54	Block	1		101	Louvered Head Cover	1	
55	Pin	1		102	Pin	1	
56	Lever	1		103	C-Snap	1	
57	Knob	1		104	Key	1	
58	Handle	1					
59	Bracket	1					
60	Ring	1					
61	Nut	1					
62	Pulley	1					
63	Belt	1	8M-560				
64	Bearing Cap	1					
65	Bearing	1					
66	Gear	1					
67	Shaft	1					
68	Key	1					
69	Key	1					
70	Shaft	1					
71	Key	1					
72	Spindle Gear Hub	1					
73	Key	1					
74	Gear	1					
75	Bearing Housing	1					

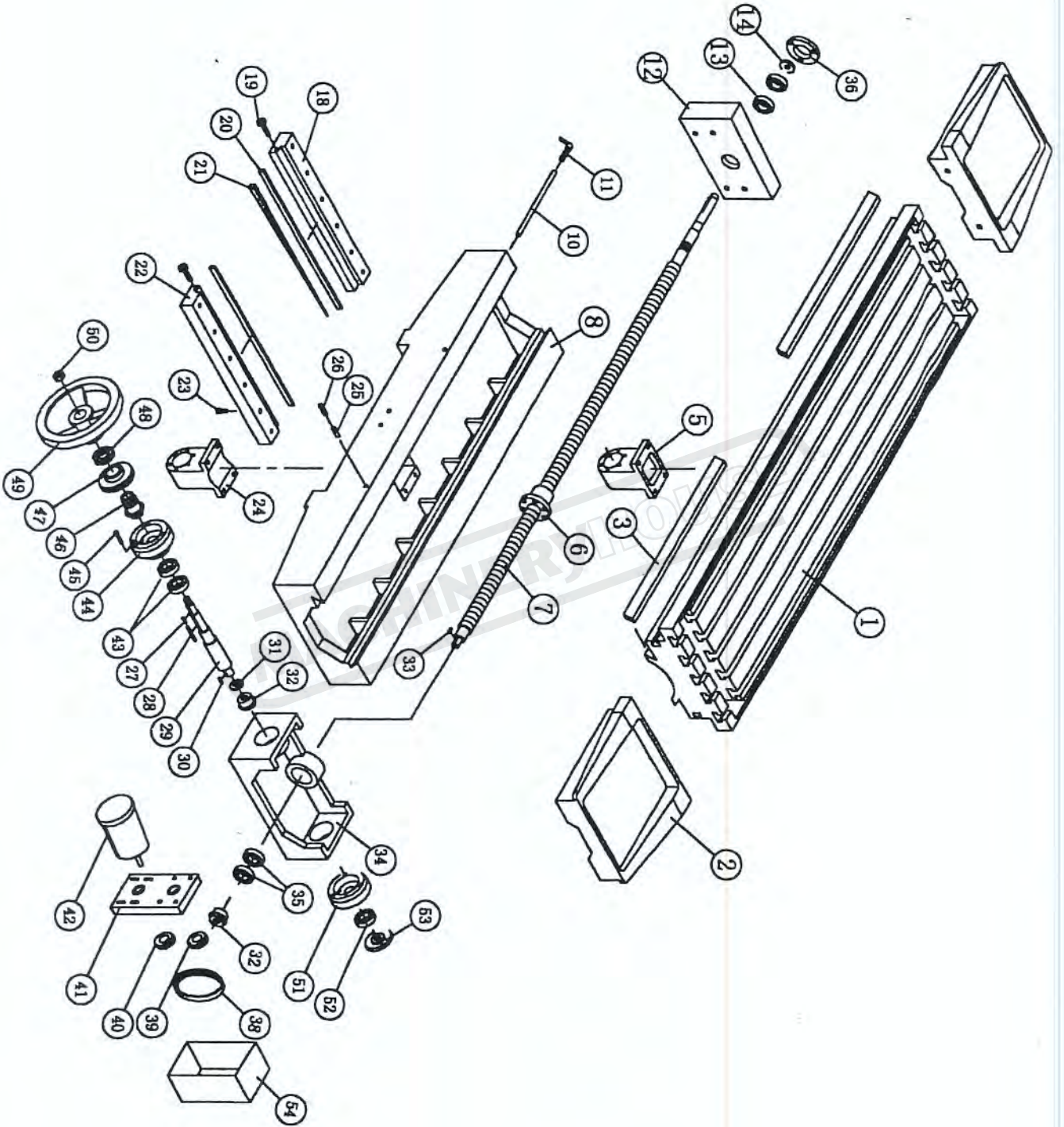


## HEAD TOP HOUSING (INVERTOR VARIABLE SPEED) - Bottom

Item	Description	Q'ty	Remark	Item	Description	Q'ty	Remark
1	Screw	1		43	Key	1	
2	Washer	1		44	Gear	1	
3	Bevel gear	1		45	Bearing	1	
4	Sleeve	1		46	Pin	1	
5	Set screw	1		47	Key	1	
6	Bushing	1		48	Worm shaft	1	
7	Spacer	1		49	Key	1	
8	Gear	1		50	Pin	1	
9	Key	1		51	Rod	1	
10	Key	1		52	Screw	5	
11	Shaft	1		53	Knob	1	
12	Screw	1		54	Crank	1	
13	Washer	1		55	Pin	1	
14	Key	1		56	Set screw	1	
15	Bevel gear	1		57	Shaft	1	
16	Worm gear cradle	1		58	Screw	4	
17	Pin	1		59	Cover	1	
18	Shaft	1		60	Rod	1	
19	Shift sleeve	1		61	Set screw	1	
20	Shaft	1		62	Shifter	1	
21	Set screw	1		63	Shift fork	1	
22	Pin	1		64	Screw	2	
23	Set screw	1		65	Nut	1	
24	Knob	1		66	Set screw	1	
25	Crank	1		67	Cover	1	
26	Bushing	1		68	C-snap	1	
27	Gear	1		69	Ring	1	
28	C-snap	1		70	Trip lever	1	
29	Bushing	1		71	Set screw	1	
30	Spacer	1		72	Pin	1	
31	Key	1		73	Ring	1	
32	Bevel gear	1		74	Nut	1	
33	Bushing	1		75	Set screw	1	
34	Worm gear cradle	1		76	Spring	1	
35	Bushing	1		77	Overload clutch	1	
36	Washer	1		78	Clutch sleeve	1	
37	Bushing	1		79	C-snap	1	
38	Bevel gear	1		80	Overload clutch	1	
39	Feed reverse clutch	1		81	Worm gear	1	
40	Bevel gear	1		82	Washer	1	
41	Bushing	1		83	Screw	1	
42	Feed driving gear	1		84	Spacer	1	

## HEAD TOP HOUSING (INVERTOR VARIABLE SPEED) - Bottom

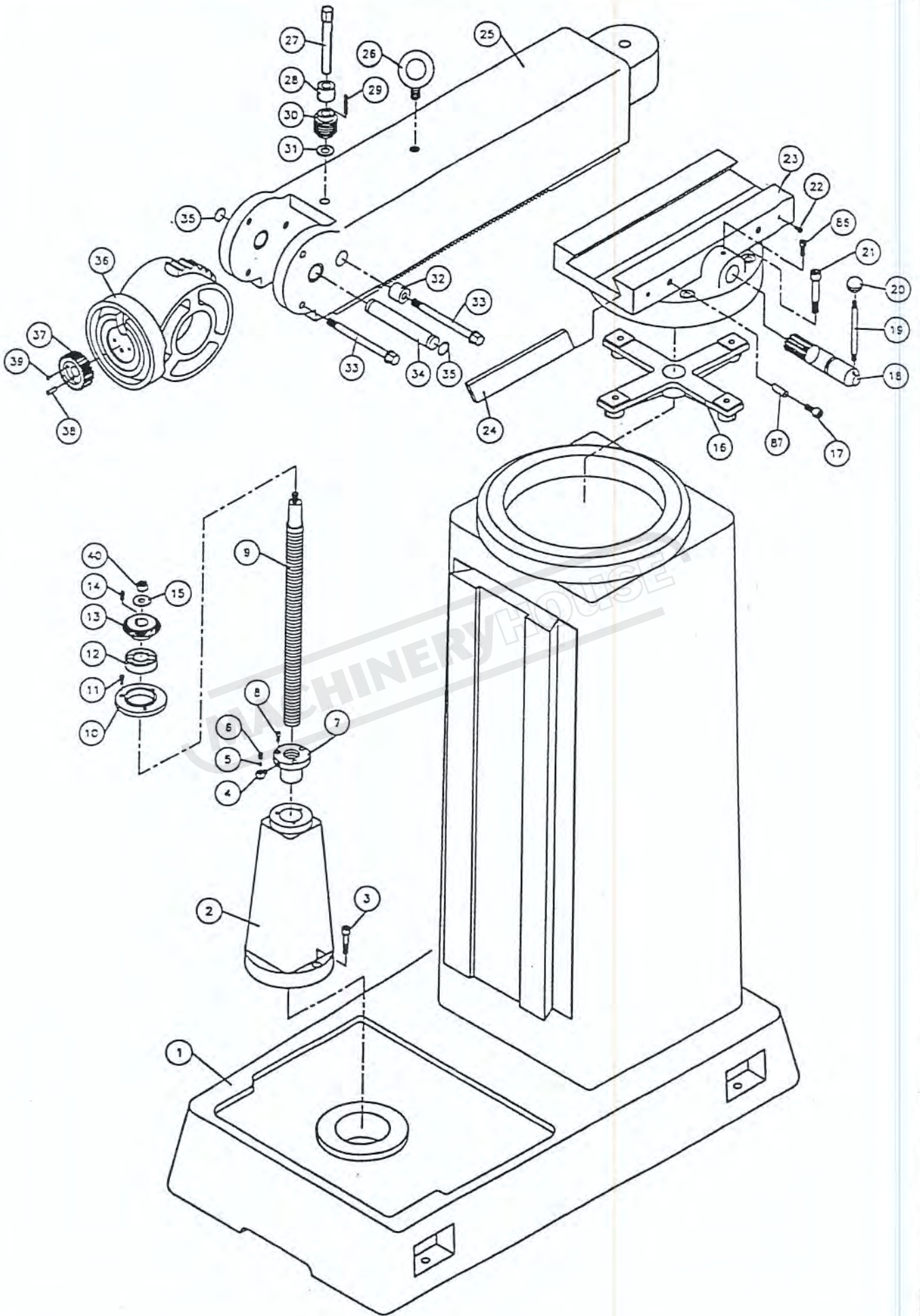
Item	Description	Q'ty	Remark	Item	Description	Q'ty	Remark
85	Bushing	1		127	Rod	1	
86	Knob	1		128	Screw	1	
87	Lever	1		129	Screw	1	
88	Pin	1		130	Handle	1	
89	Link	1		131	Bolt	1	
90	Trip bracket	1		132	Clamp block	1	
91	Screw	2		133	Clamp block	1	
92	Handwheel	1		134	Nut	4	
93	Pin	1		135	Bolt	4	
94	Screw	1		136	Nut	1	
95	Shaft	1		137	Scale	1	
96	Set screw	1		138	Screw	2	
97	C-snap	1		139	C-snap	1	
98	Block-gear box	1		140	Micro-stop nut	1	
99	Set screw	1		141	Micrometer nut	1	
100	Set screw	1		142	Screw	1	
101	Pin	1		143	Quill stop knob	1	
102	Cam rod sleeve	1		144	Leadscrew	1	
103	Spring	1		145	Pinion shaft	1	
104	Pin	1		146	Pin	1	
105	Trip plug	1		147	Key	1	
106	Bushing	1		148	Screw	1	
107	Rod	1		149	Clock spring	1	
108	Spindle	1		150	Spring cap	1	
109	Driver key	2		151	Pinion shaft hub	1	
110	Screw	2		152	Pin	1	
111	Sleeve	1		153	Block	1	
112	Nut	1		154	Lever	1	
113	Washer	1		155	Knob	1	
114	Bearing	1		156	Set screw	1	
115	Sleeve	1		157	Set screw	1	
116	Cover	1		158	Steel ball	1	
117	Quill	1		159	Screw	1	
118	Bearing	1		160	Stud	1	
119	Spacer	1		161	Shaft	1	
120	Spacer	1		162	Worm gear	1	
121	Bearing	1		163	Key	1	
122	Spacer	1		164	Set screw	1	
123	Bearing cap	1		165	Shaft	1	
124	Screw	1					
125	Plate	1					
126	Screw	1					

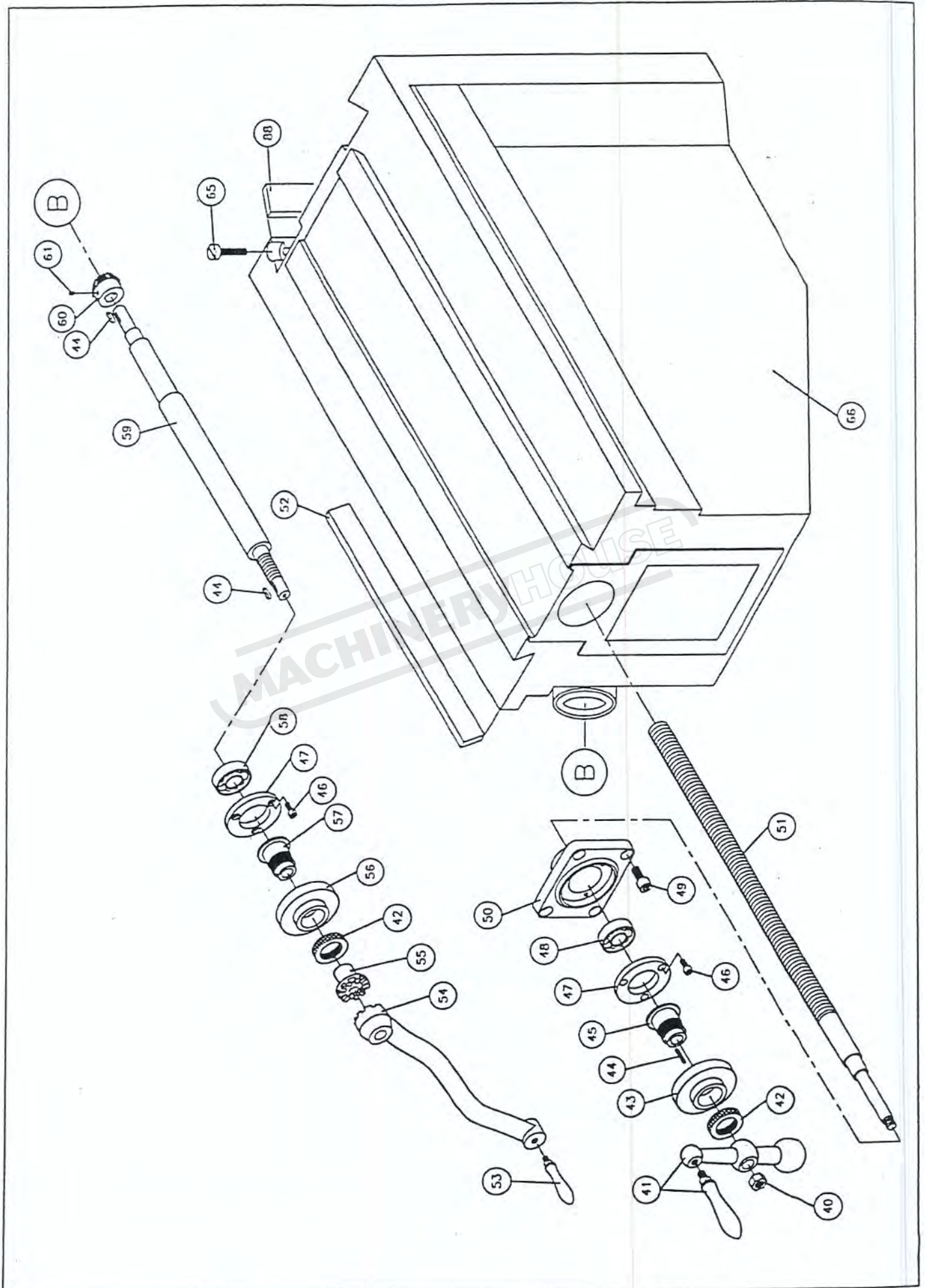


## TABLE AND SADDLE

Item	Description	Q'ty	Remark	Item	Description	Q'ty	Remark
1	Working Table	1		49	Hand Wheel	1	
2	Bracket	2		50	Nut	1	
3	Gib (Right)	1		51	Bearing Housing	1	
4	Gib (Left)	1		52	Bearing	1	
5	Nut Housing	1		53	Bearing Cap	1	
6	Nut	1		54	Pulley Cover	1	
7	Lead Screw	1					
8	Saddle	1					
10	Bushing	2					
11	Clamper	1					
12	Bracket	1					
13	Ball Bearing	2	# 6205Z				
14	Bearing Nut	2	AN05				
18	Bracket	1					
19	Adjusting Bolt	8					
20	Gib	1					
21	Gib	1					
22	Bracket	1					
23	Screw	12					
24	Nut Housing	1					
25	Bush	2					
27	Key	1	4x4x20L				
28	Key	1	4x4x45L				
29	Shaft	1					
30	Key	1	4x4x15L				
31	Washer	1					
32	Bevel Gear	2					
33	Key	1	4x4x15L				
34	Bracket	1					
35	Ball Bearing	2	#6205Z				
36	Bearing Cap	1					
38	Bolt	1					
39	Pulley	1					
40	Pulley	1					
41	Bracket	1					
42	Motor	1					
43	Ball Bearing	2					
44	Retainer Ring	1					
45	Screw	3					
46	Bush	1					
47	Dial	1					
48	Nut	1					





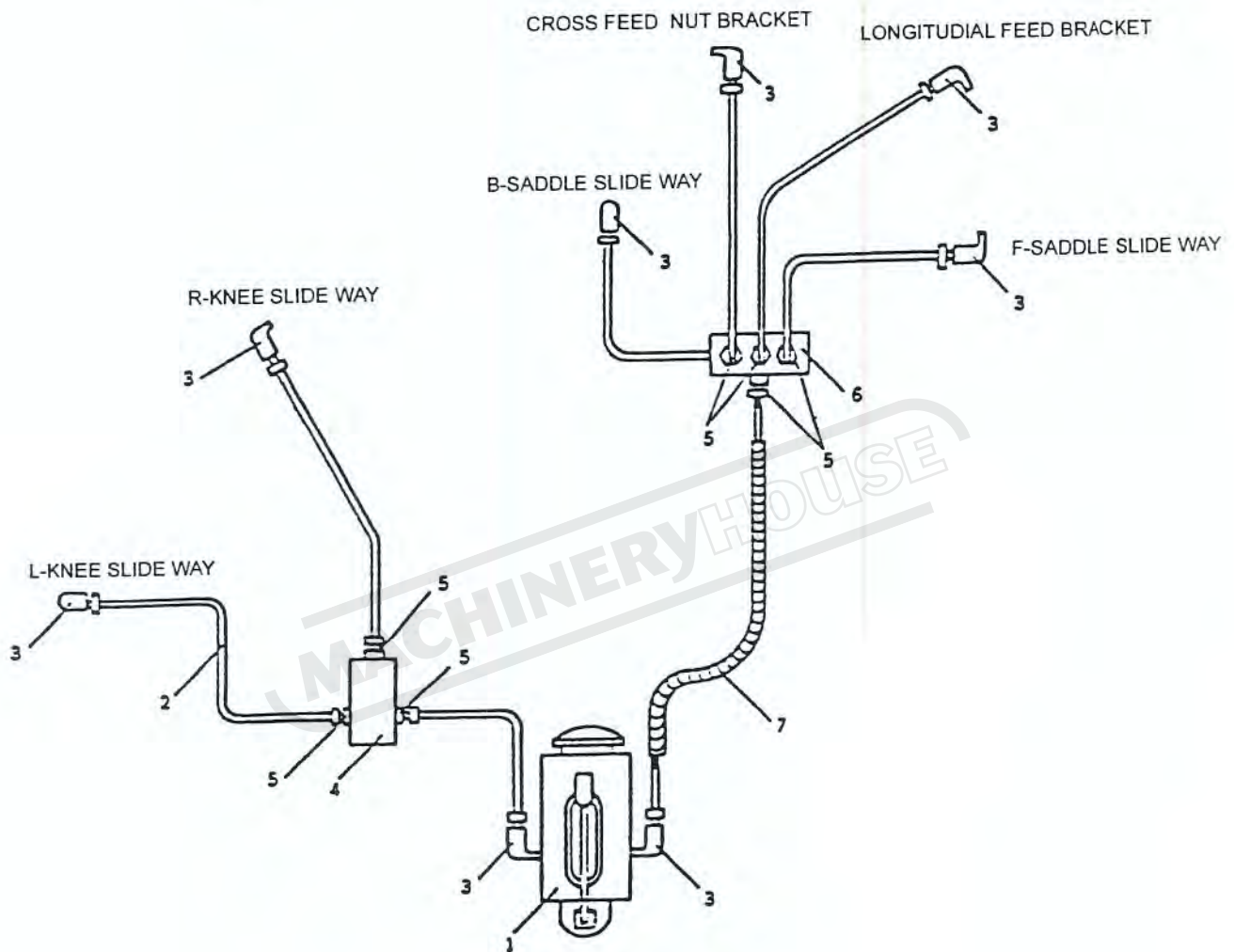


## COLUMN AND KNEE

Item	Description	Q'ty	Remark	Item	Description	Q'ty	Remark
1	Column	1		43	Dial with 200 graduations	3	
2	Elevating screw housing	1		44	Woodruff key	5	3x3x25L(4x4x25L)
3	Hollow herd cap screw	2	M8x1.25P	45	Dial holder	3	
4	Nozzle	1		46	Hollow head cap screw	12	M6x1.0P
5	Nozzle plug	1		47	Bearing retainer ring	4	
6	Nozzle cap nut	1		48	Grease sealed ball bearing	3	6204ZZCM
7	Elevating screw nut	1		49	Hollow head cap screw	12	M8x1.25P
8	Hollow herd cap screw	3	M6x1.0P	50	Cross feed bearing bracket	1	
9	Elevating screw	1		51	Cross feed screw	1	
10	Bearing retainer ring	1		52	Saddle knee gib	1	
11	Hollow herd cap screw	3	M6x1.0P	53	Handle	1	
12	Grease sealed ball bearing	1	URB 3305	54	Elevating crank	1	
13	Bevel gear	1		55	Gearshaft clutch insert	1	
14	Key	1	5x5x20L	56	Dial with 100 graduations	1	
15	Washer	1		57	Dial holder	1	
16	Spider	1		58	Grease sealed ball bearing	2	6204ZZCM
17	Table lock bolt	2	3/4" 10 THD	59	Gear shaft	1	
18	Ram pinion	1		60	Bevel pinion	1	
19	Ram pinion handle	1		61	Set screw	1	M6x1.0P
20	Ball	1		62	Gib	2	
21	Turret clamp bolts	4	1/2" 13 THD	63	Gib	1	
22	Screw	2	3/8" 16 THD	64	Belt wirer	2	
23	Turret	1		65	Gib screw	7	3/8" 24 THD
24	Overarm gib	1		66	Knee	1	
25	Ram	1		67	Left bearing bracket	1	
26	Hoisting Ring	1	3/4" 10 THD	68	Saddle	1	
27	Pin	1		69	Pin	4	
28	Adapter pivot stud locknut	1		70	Right bearing bracket	1	
29	Worm key	1	5x5x45L	71	Screw	1	M6x1.0P
30	Vertical adjusting worm	1		72	Long. Nut	1	
31	Washer	1		73	Cross feed nut	1	
32	Adapter pivot stud locknut	1		74	Cross feed nut	1	
33	Adapter locking bolt	3	1/2" 13 THD	75	Longitudinal feed unit	1	
34	Adapter pivot stud	1	Dia. 28	76	Hollow head cap screw	4	3/8" 16 THD
35	Ring	1	Dia. 28	77	Feed nut bracket	1	
36	Ram adapter	1		78	Saddle table gib	1	
37	Gear	1		79	Longitudinal feed screw	1	
38	Pin	2	#10	80	Table	1	
39	Screw	1	M6x1.0P	81	Degree plate	1	
40	Jam nut	4	1/2" 20 THD	82	Spring	6	
41	Ball crank handle	3		83	Handle	6	
42	Dial lock nut	4		84	Clamp screw	6	



## CENTRAL LUBRICATING OIL-FEEDING EQUIPMENT



ITEM NO.	PARTS NO.	DESCRIPTION
1	9001	Hand Oiler
2	9002	Aluminum Pipe
3	9003	Elbow Joint(8 Req.)
4	9004	T-Joint
5	9005	Straight Joint(7 Req.)
6	9006	Oil Regulating Distributor
7	9007	Outside Steel Flexible Tube